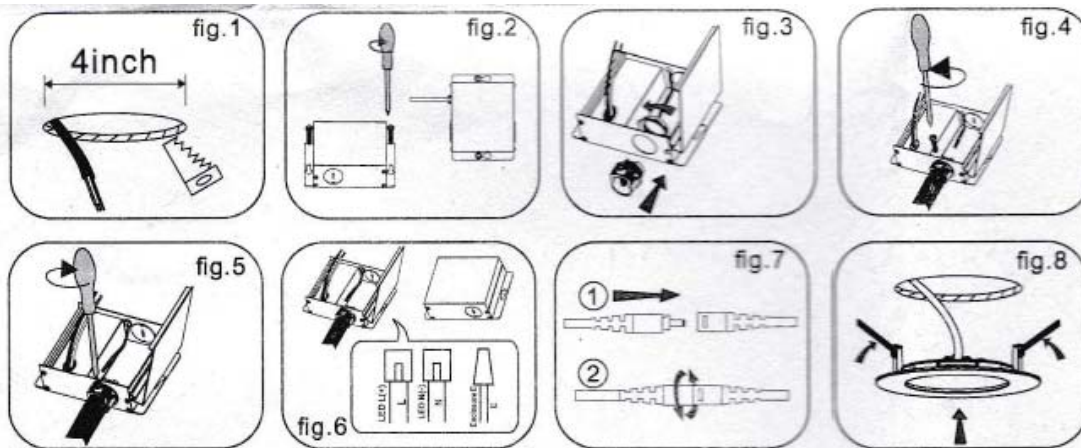


# SaunaFin Pot Light



1. Cut off power before installation. Drill a hole on the ceiling(fig.1).
2. Install the junction box (fig.2)(fig.3)(fig.4)(fig.5) , and connect the lamp driver(fig.6).
3. Connect the lamp connectors and lock it (fig.7) with the DC end of the driver.
4. Fasten the clip to the ceiling(fig.7).
5. Turn on the power to make sure the panel light is well installed.

## CAUTION:

CONSULT A QUALIFIED ELECTRICIAN TO ENSURE CORRECT BRANCH CIRCUIT CONDUCTOR.