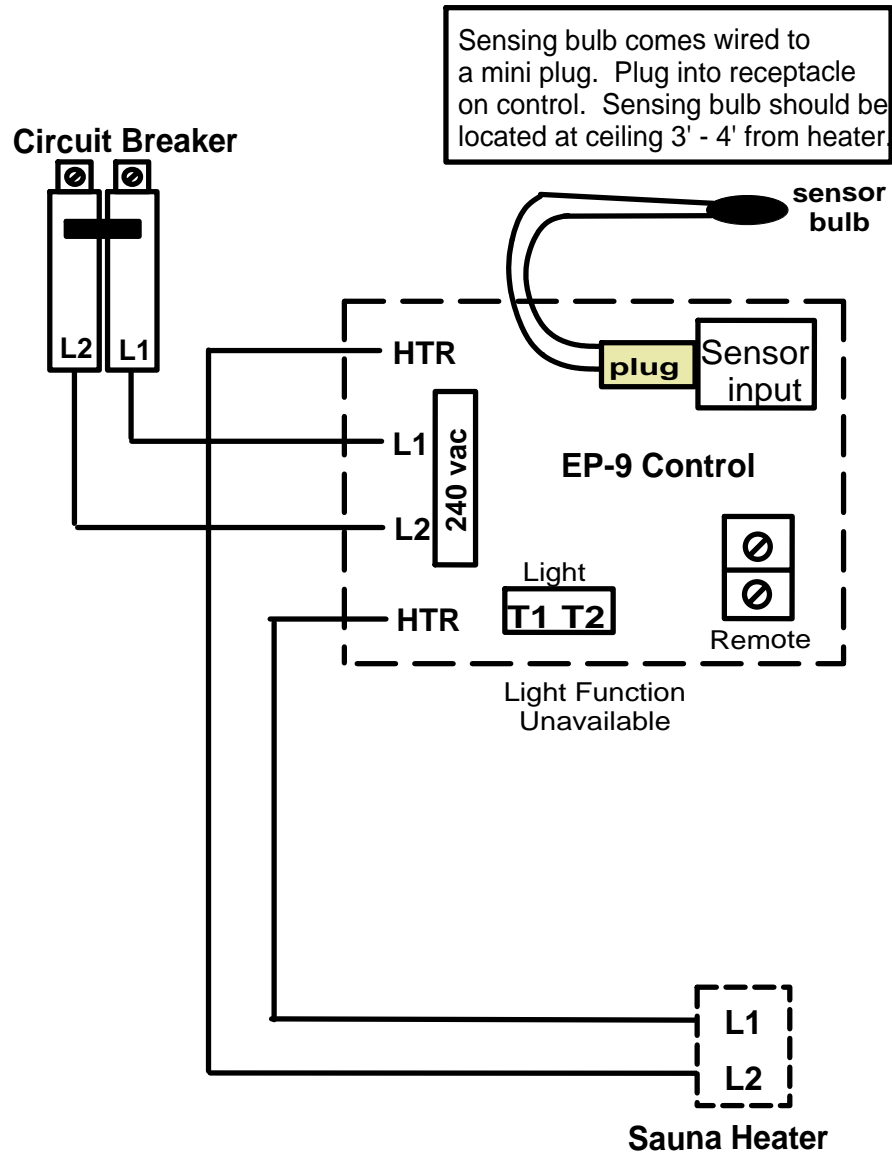


EPC-9 CONTROL

CONTROL TO BE INSTALL OUTSIDE OF SAUNA (i.e.front wall, next to door)

4 KW, 5 KW & 6 KW / 240 Volt / 1 PHASE



EPC-9 CONTROL INSTALLATION AND OPERATION

<u>Watts</u>	<u>Volts</u>	<u>Phase</u>	<u>Wire Size</u>	<u>Circuit Breaker</u>
4000	240	1	10	30
5000	240	1	10	30
6000	240	1	8	40

Operation

**** See programming instruction sheet for set up of control**

Installation Tips

1. Avoid static build up when control sensor bulb are handled.
2. Avoid running sensor bulb capillary wire too close to line power lines.
3. In order to install control in electrical box, front grounding screws may have to removed.

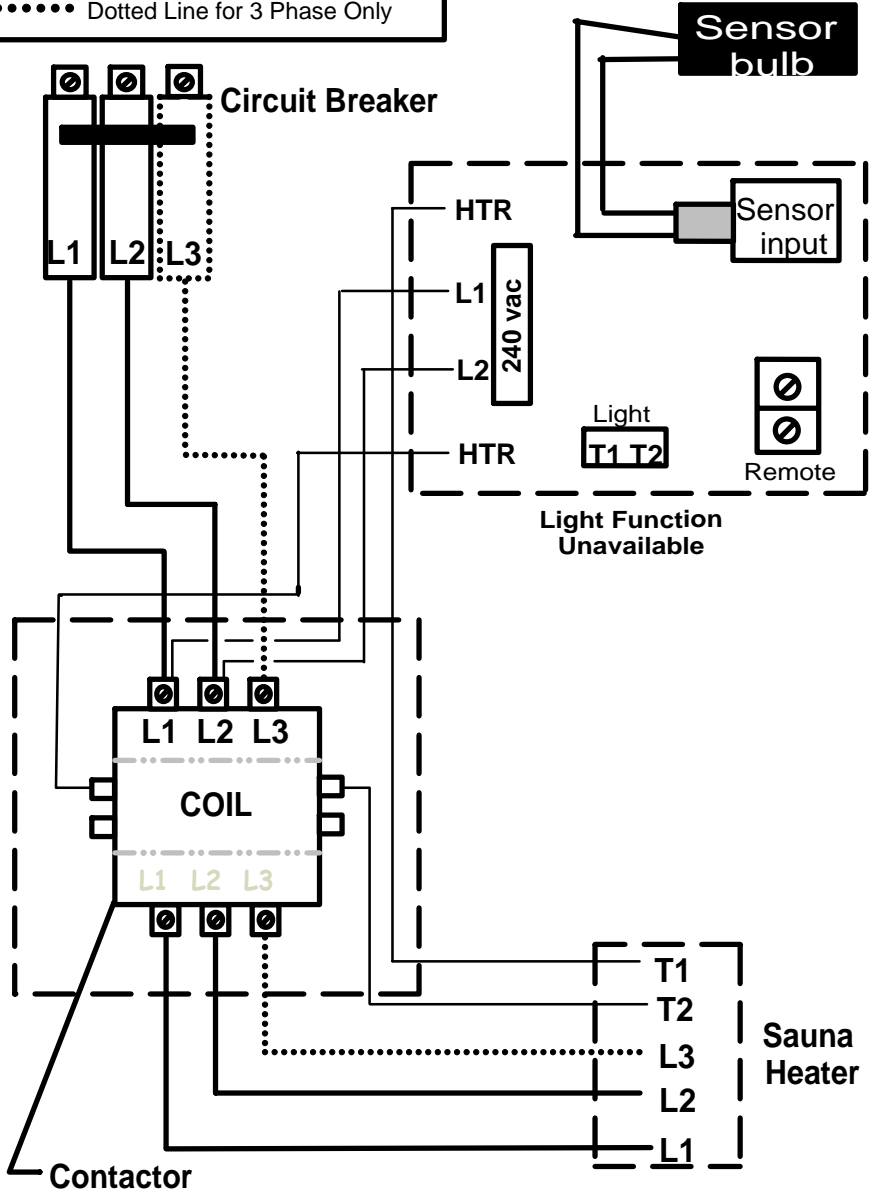
EPC-9 CONTROL with CONTACTOR

7.5 - 18KW / 1 - 3 PHASE (6KW / 208V / 3 PHASE)

Ensure that correct voltage is applied to the contactor coil.

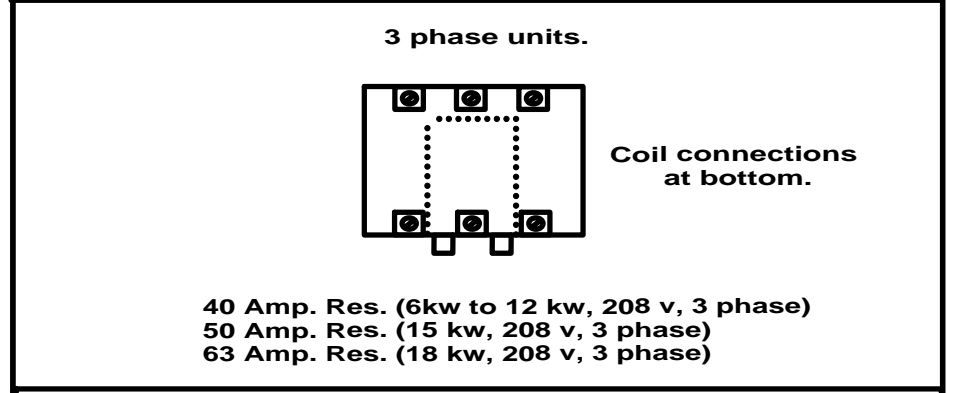
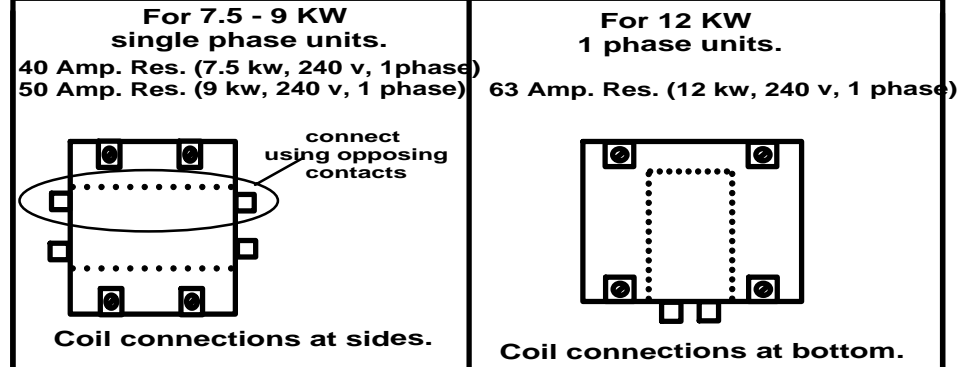
— Control Wire (#14)
 — Supply Wire
 Dotted Line for 3 Phase Only

Sensing bulb comes wired to a mini plug. Plug into receptacle on control. Sensing bulb should be located at ceiling 3' -4' from heater.



CONTACTOR DETAIL

Here are some samples of the different types of contactors used depending upon wattage and phase of the heater. The broken lines represent the coil in the middle of the contactor.



<u>Watts</u>	<u>Volts</u>	<u>Phase</u>	<u>Wire Size</u>	<u>Circuit Breaker</u>
6000	208	3	10	30
7500	240	1	8	40
7500	208	3	10	30
9000	240	1	8	50
9000	208	3	8	40
12000	240	1	6	60
12000	208	3	8	50
15000	208	3	6	60
18000	208	3	6	70

Electronic Control Operation Manual (EPC-9)

Sleep mode: When control is inactive for 10 minutes, it goes in to “**sleep**” mode. In sleep mode a red dot cursors across the time and temperature display windows.

Standby: Press “**ON/OFF**” once. Control will enter “**Standby**” mode. Time window will show default time of 60 minutes. Temperature window will show current set point (defaults to set point of last use).

From “standby” you can access time and temperature controls and delay start features.

Quick Start: You can “**Quick Start**” the sauna by pressing “**ON/OFF**” a second time. Sauna defaults to 60 minutes and last programmed temperature. Or change temperature and time, then push “on/off” second time.

On: When operational, time window will flash between the word “on” and the remaining time. When the heater is calling for heat, a small dot will flash in the temperature window. Once the sauna hits the setpoint and cycles off, the flashing stops.

Off: Pressing the “**ON/OFF**” a third time will turn off the sauna.

Temperature: From standby or when sauna is in operation. Press and hold temperature button. Temperature display will switch to set point. Using the “**up**” and “**down**” icons, set the desired temperature.

Time: From standby or when sauna is in operation. Press and hold “**TIME**” button. Using the “**up**” and “**down**” icons, set the desired temperature.

Delay Start: Sauna control can be programmed to delay start up to 10 hours in advance. From “standby” mode, press and hold “**DELAY**” button. Using up and down icons, set delay duration. Press “**ON/OFF**” button to engage delay. When in delay mode temperature window will display the word “**dEL**”. Time window will display delay duration. Delay will show countdown to zero one minute at a time.

Delay can be set for up to 10 hours. Delay start displays hours and minutes. For example: 5 = five minutes, 15 = 15 minutes 1.20 = one hour, twenty minutes. Time and temperature can still be adjusted while control in delay mode.

Time Clock: The sauna control can be programmed to start at a specified time up to seven days in advance. In order for the time clock preset to work the control internal clock must first be set.

Setting the clock:

From Off mode, press and hold “**SET**” and “**TIME**” buttons. Time window will first show “dAY”. Temperature window will default to “1”. Use up/down buttons to program current day. 1=Sunday, 2=Monday, etc. Press set button and time window display “hr” (hour). Use up/down buttons to program current hour. (Operates on military time; i.e. 2 = 2:00 a.m., 14 = 2:00 p.m.). Press set again and time window will display “nIn” (minutes). Use up/down buttons to program current minutes (1-59). Press set one last time to engage. The temperature window will read “tc” (for Time Clock). The time window will read “on”.

Programming the time clock start

From "OFF": Press and hold "UP", "DOWN" and "SET" buttons. Display will change to "dEL" "Srt" (for delay start). Press, "SET" once. Program the time clock same as above. If you try to program a time clock start without first setting the clock, you will first be prompted to set the current day and time.

Note: Turning the control on at any time prior will clear the time clock start programming. The time clock programming clears after each use.

Light: Light Function no longer available

Set Up: The control has certain programmable features and lockouts. To access these features push and hold the "up" and "down" button for about eight seconds. Time window will display "rev". Pressing "set" consecutively will give the following: Celsius vs. Fahrenheit, Lock 1, Lock 2, Lock 3, Lock 4. You must press the set button repeatedly to the end to get out of "setup" mode.

C. vs. F.: First set up option is temperature scale. The control defaults to Celsius. For Fahrenheit, press up or down button. Display in "time" window will change from "C" to "F". Press set.

Lock 1: Lock 1 is a general lock out or "child safe" mode. When lock 1 is on, none of the control buttons will respond. Pressing any button will show the display "LOC 1". To engage lock 1, use the up/down button to turn the lock on or off. To disengage, you must reenter the "set up" mode, go to lock 1 and turn it "off".

Lock 2: Lock 2 only allows use of the "ON/OFF" button. The sauna can be turned on, but time and temperature cannot be changed. **Lock 2** is generally intended for use with public saunas where management want public access limited to turning on the sauna. Pressing any buttons other than "ON/OFF" will show the display "LOC 2". To engage lock 2, use the up/down button to turn the lock on or off. To disengage, you must reenter the "set up" mode, go to lock 2 and turn it "off".

Lock 3: Lock 3 prevents use of the programmed time clock start.

Lock 4: No current function.